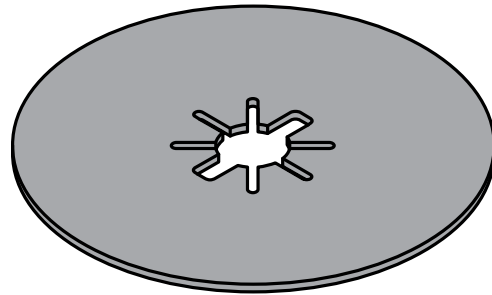
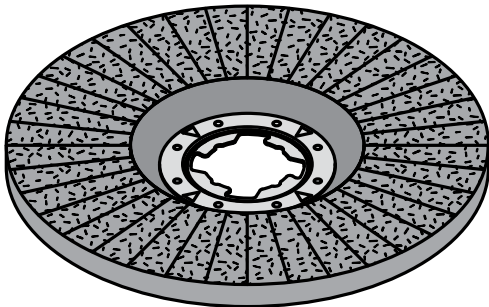
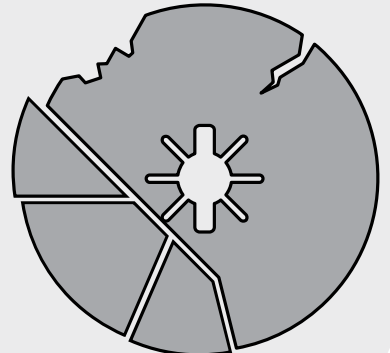
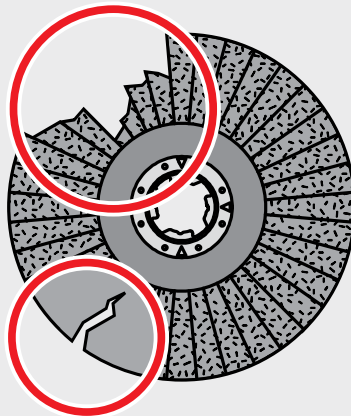
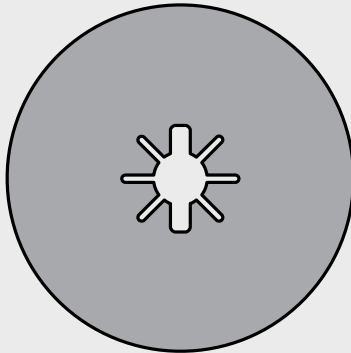
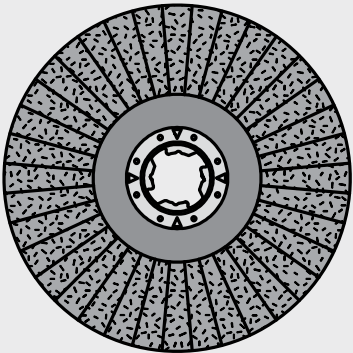
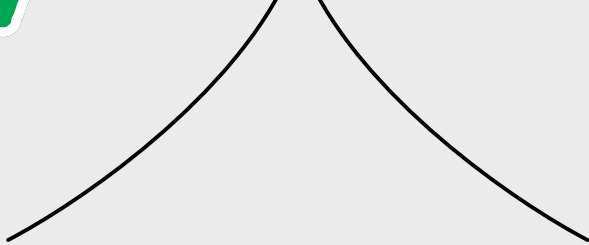
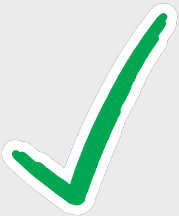
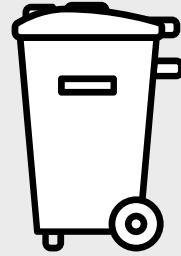
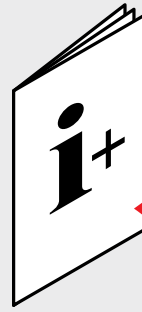
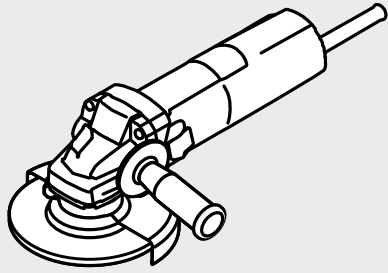


# **Sia**

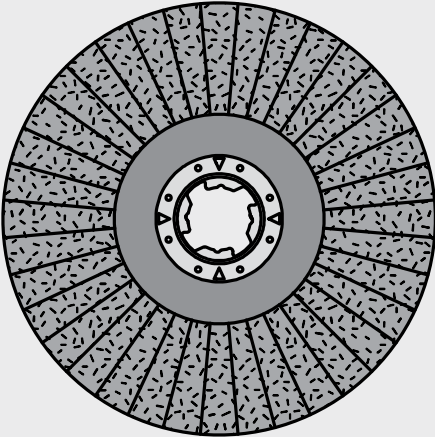
**A B R A S I V E S**



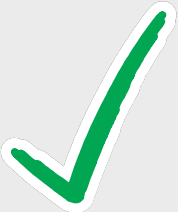
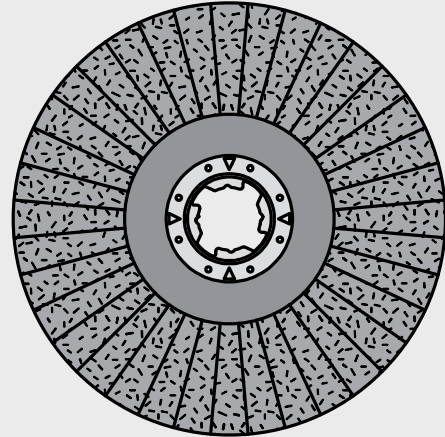




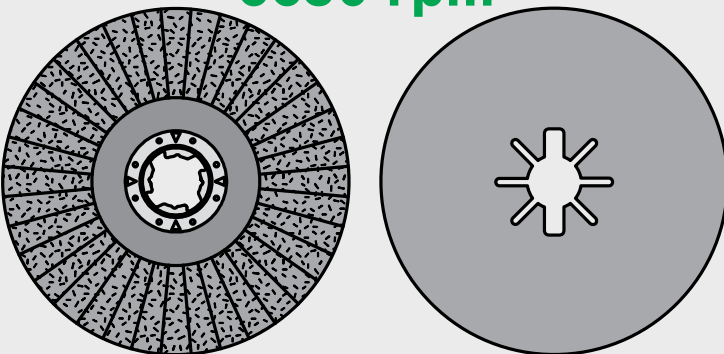
**EN 13743**



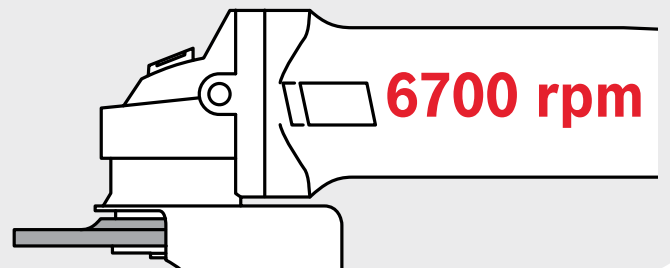
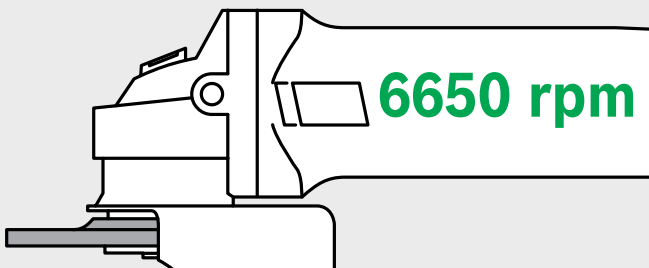
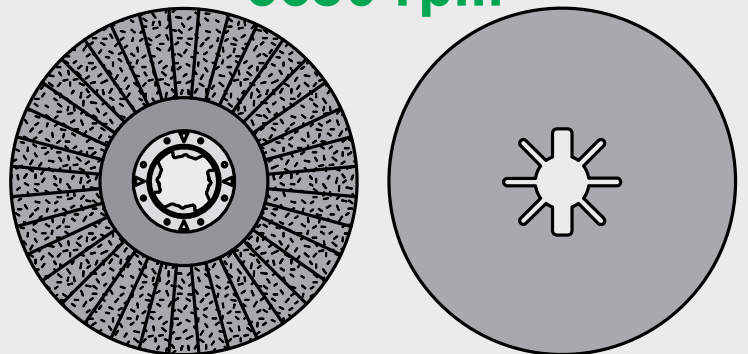
**EN 12413**



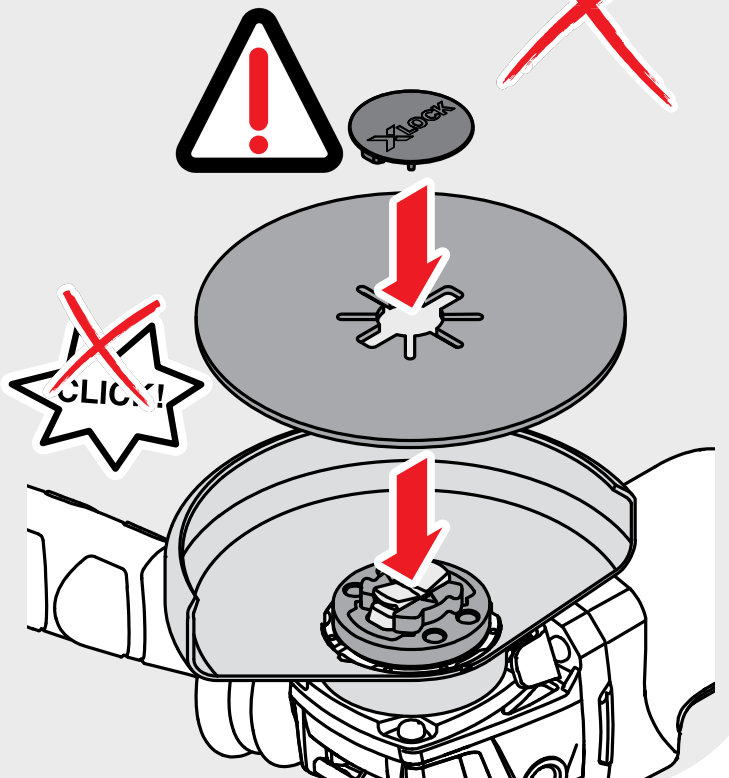
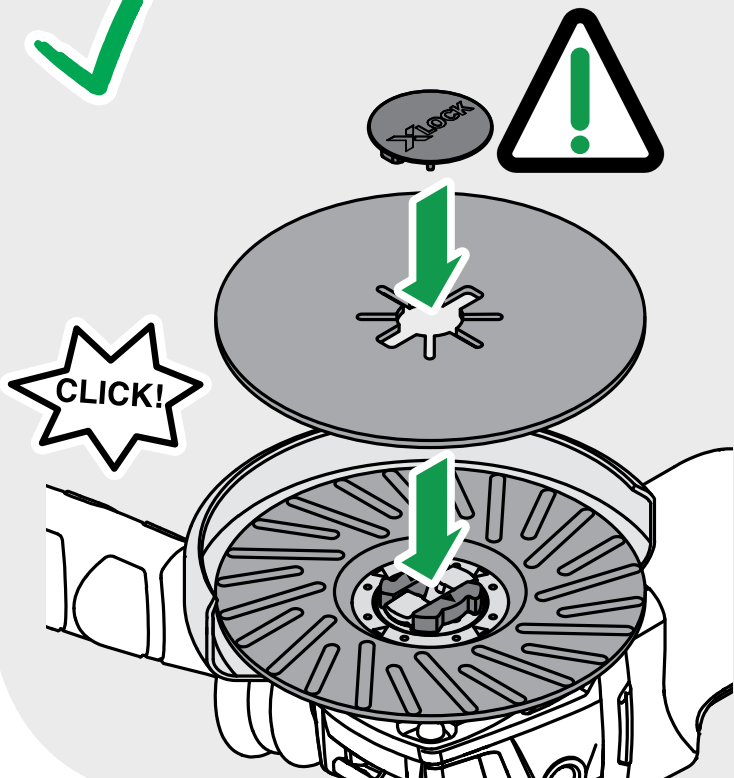
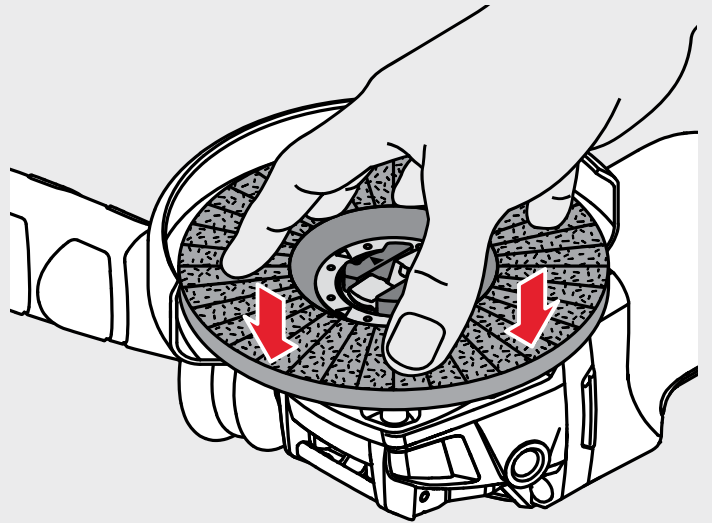
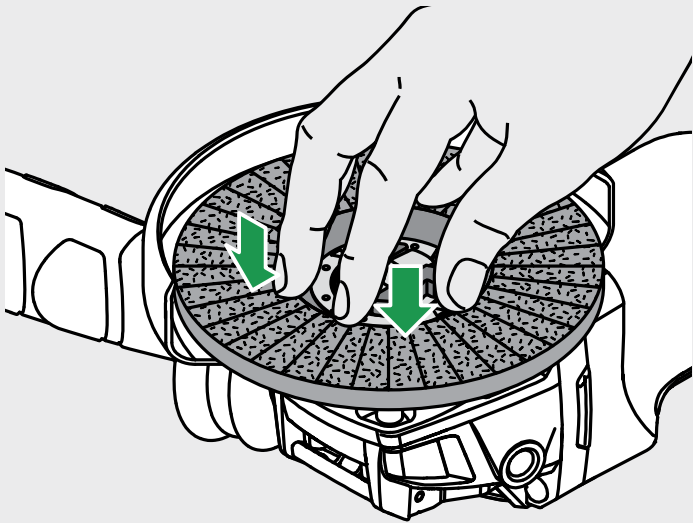
**max.  
6650 rpm**



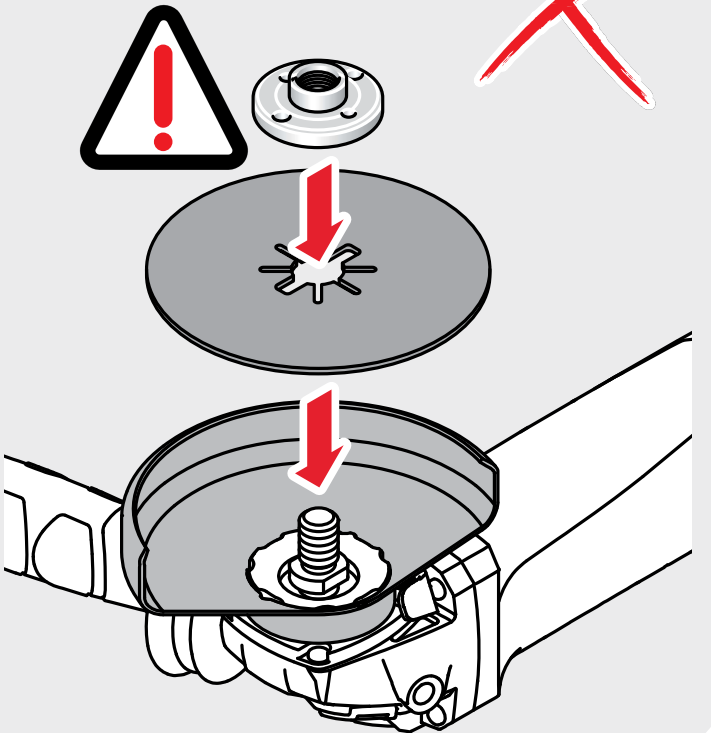
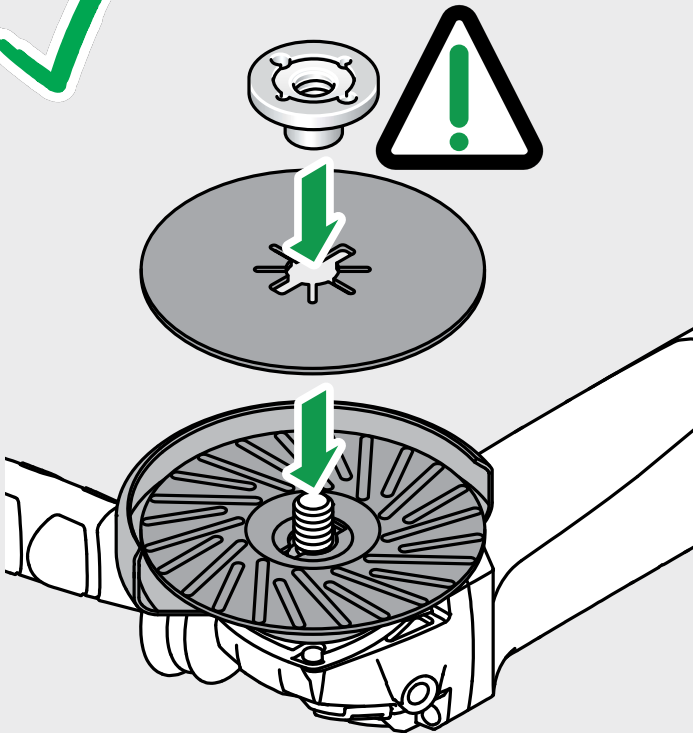
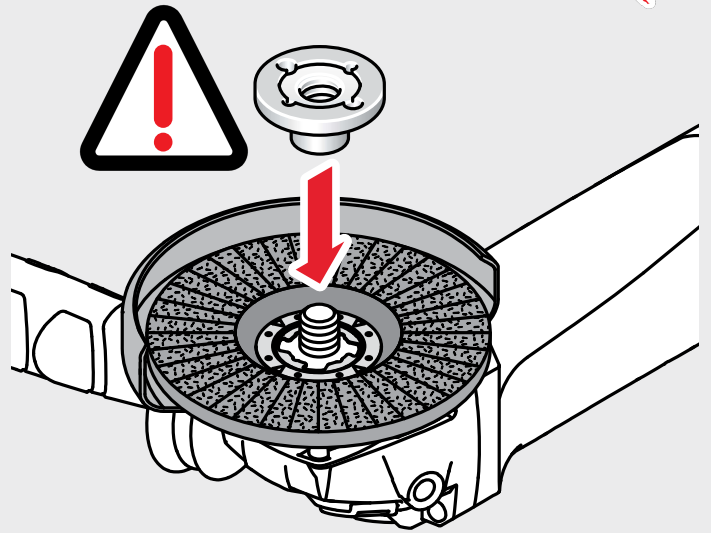
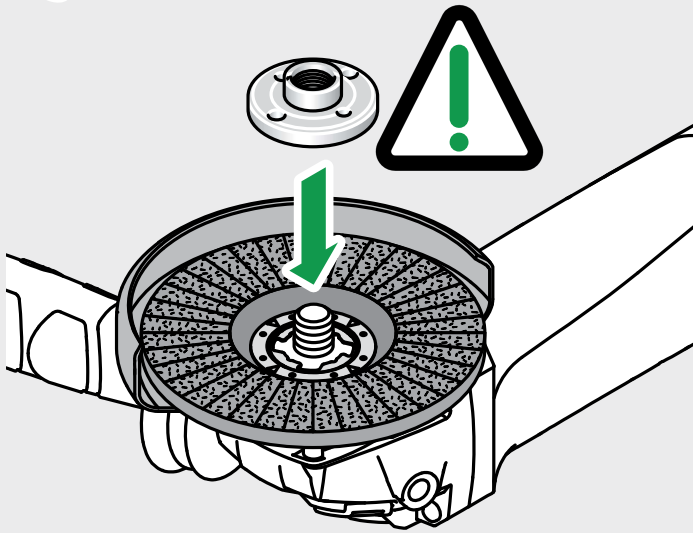
**max.  
6650 rpm**

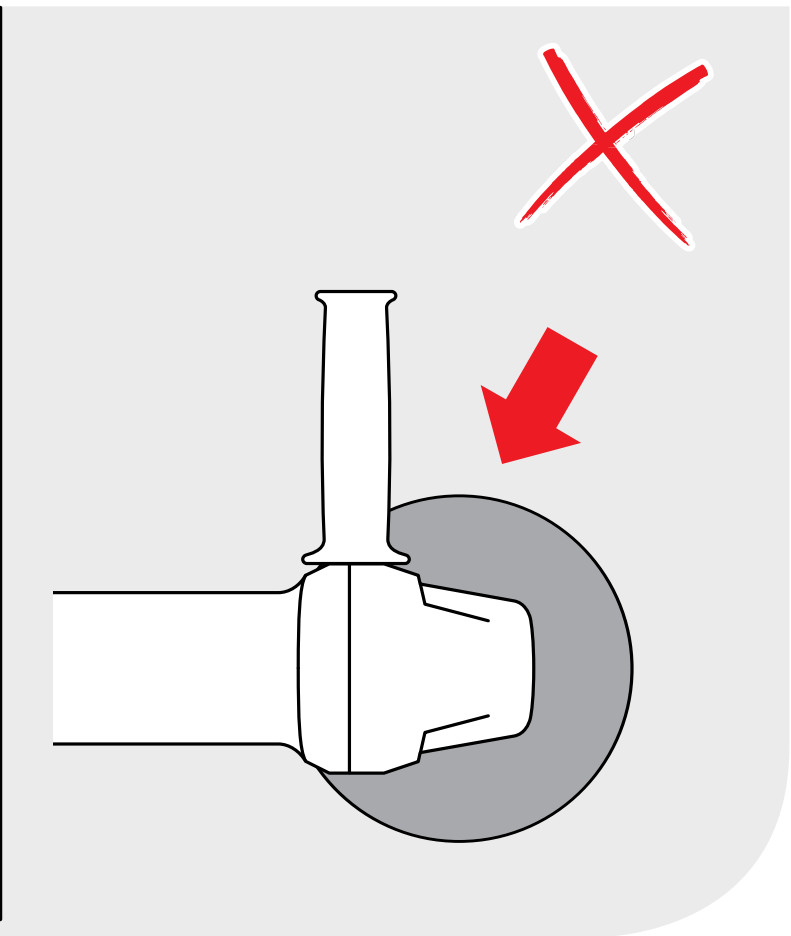
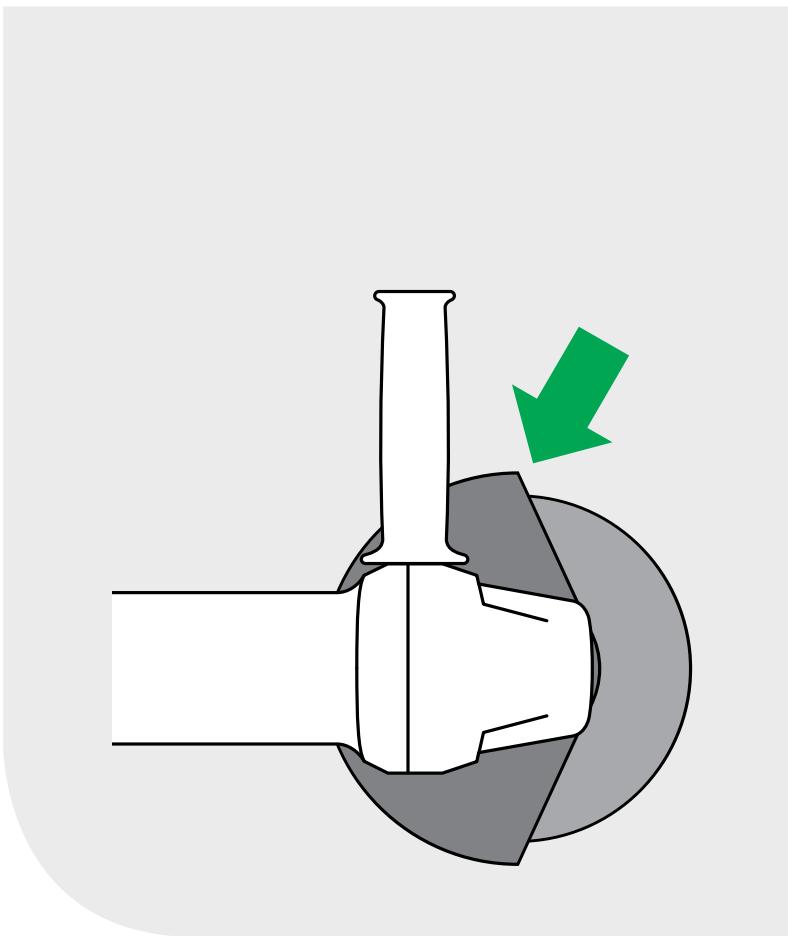


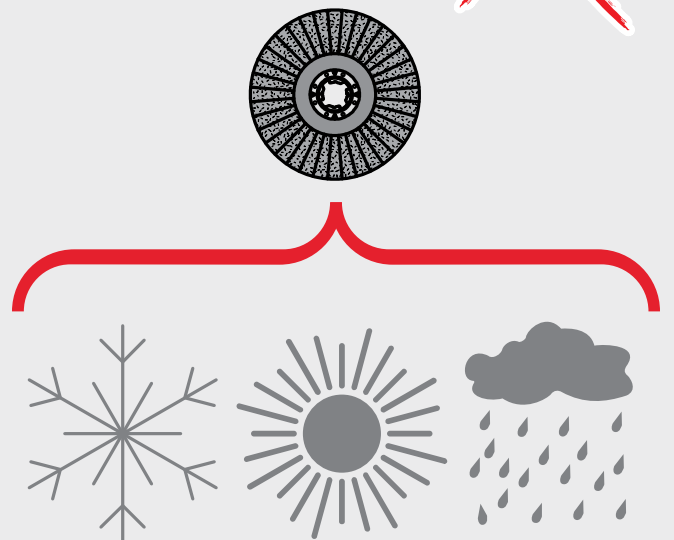
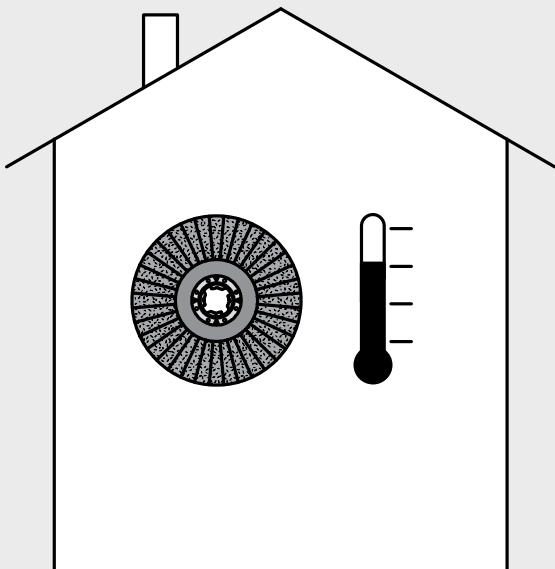
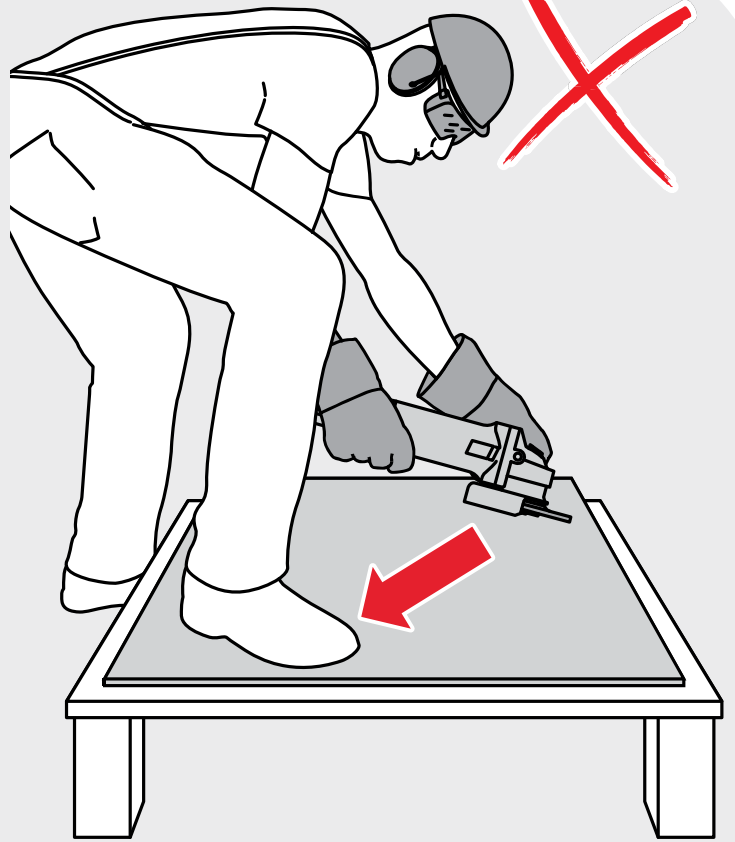
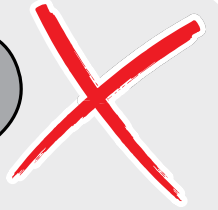
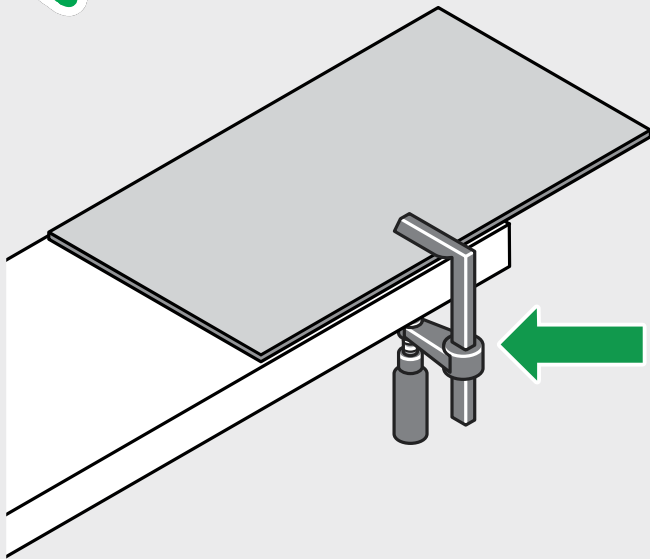
# XLOCK

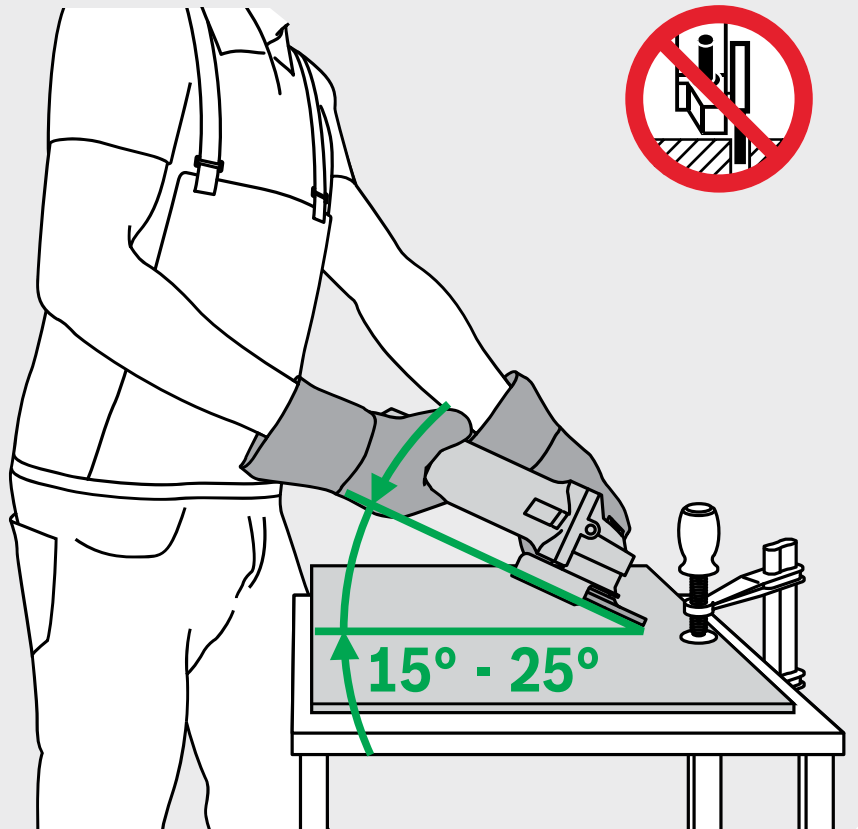
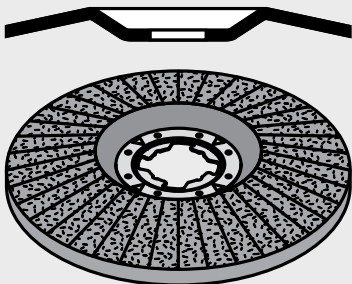
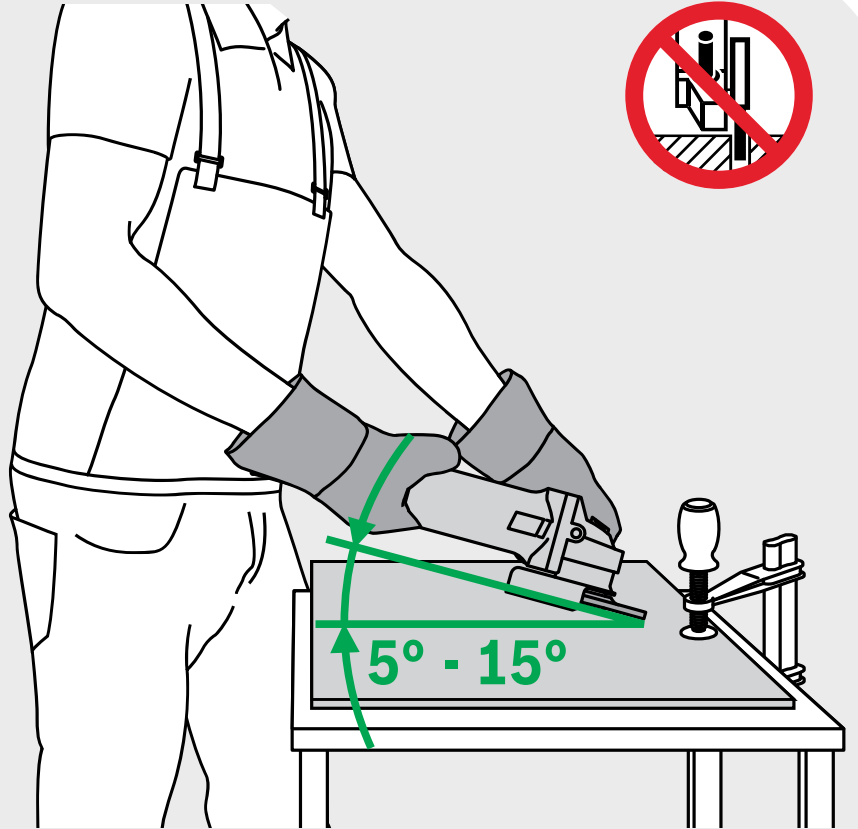
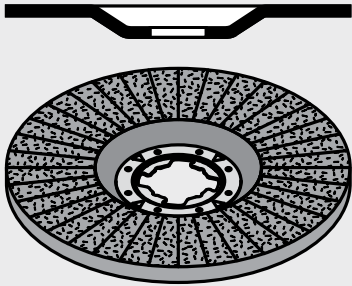


Ø 22,23 / M14



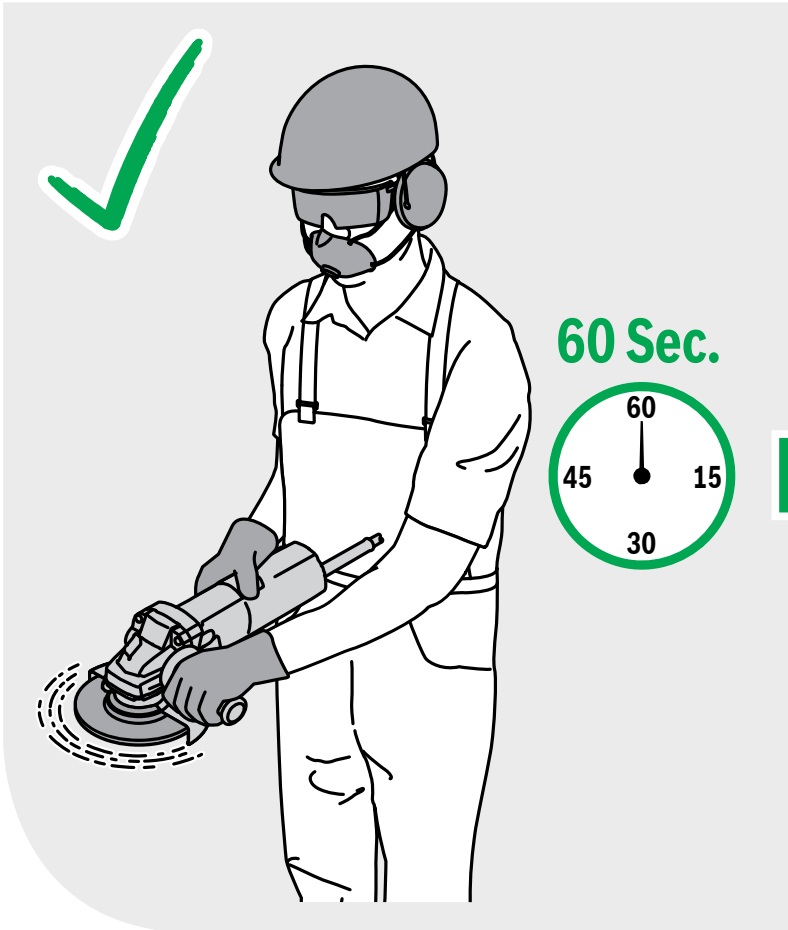
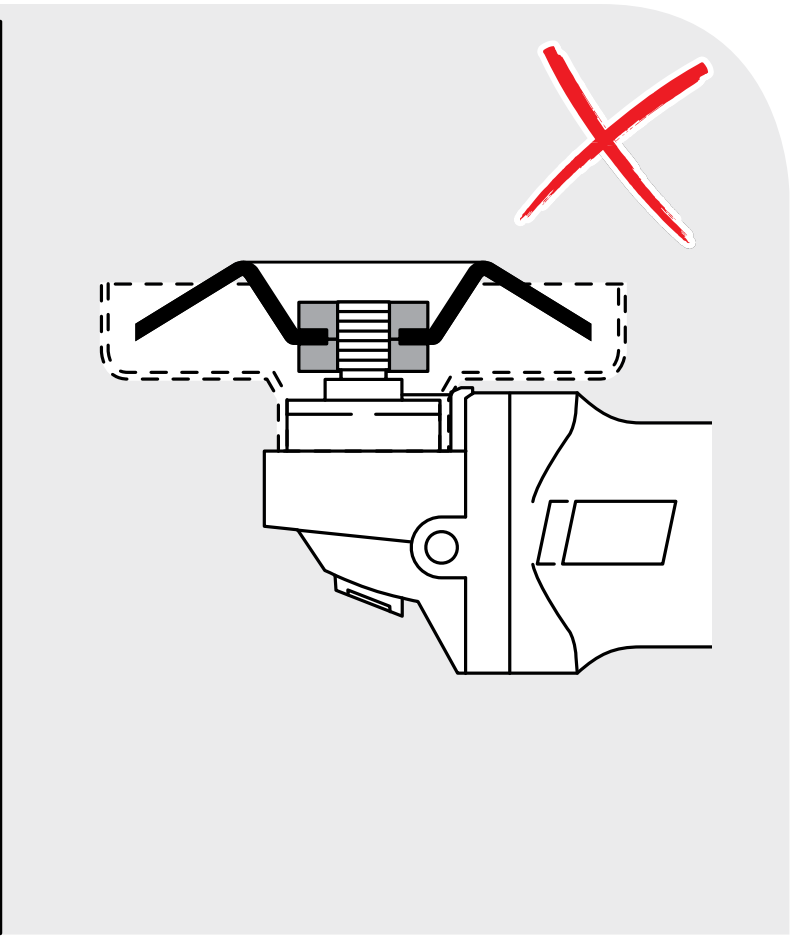
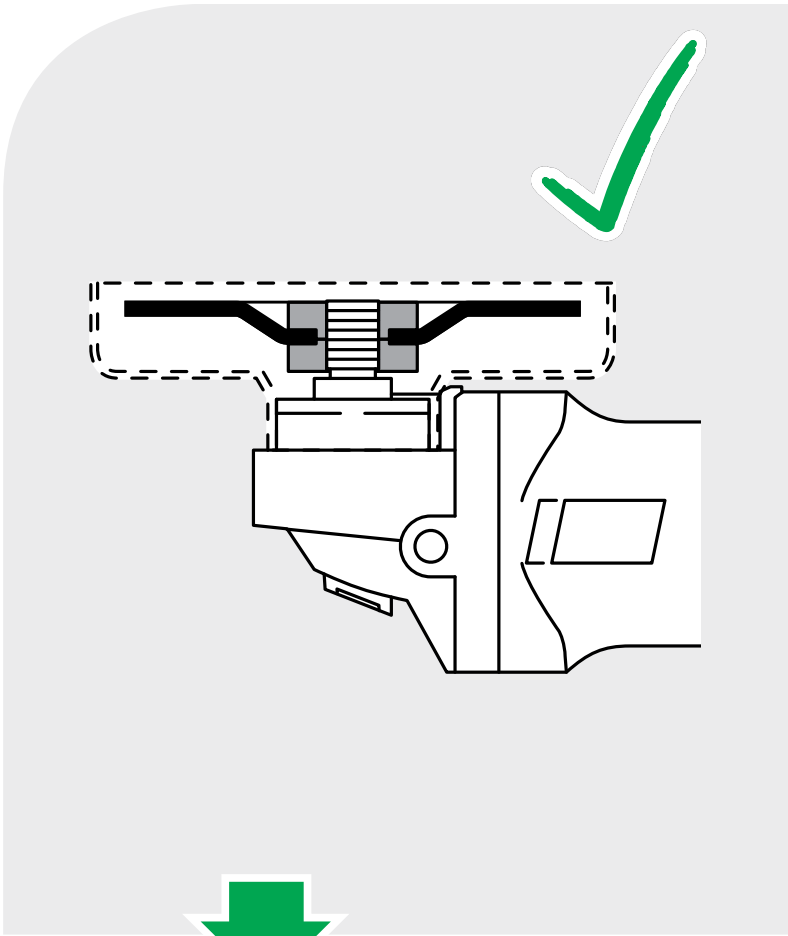














**sia Abrasives Industries AG**

Mühlewiesenstrasse 20

8500 Frauenfeld

SWITZERLAND

E-mail: [sia.ch@sia-abrasives.com](mailto:sia.ch@sia-abrasives.com)

Web: [www.sia-abrasives.com](http://www.sia-abrasives.com)

Art. ID: (11.2019) / 1 609 92A 5HX

0020.9548.01 / F 03E 007 M6A

